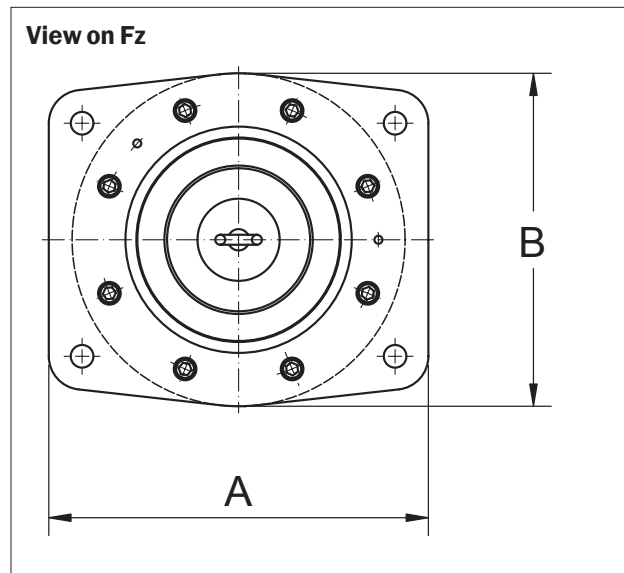
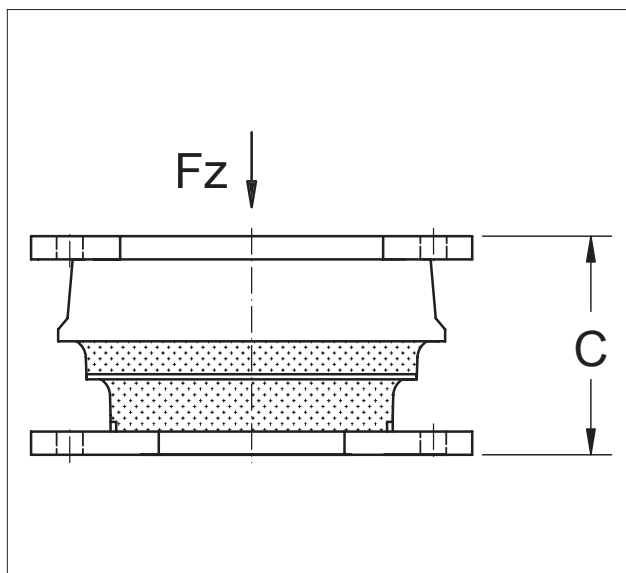


● Metalastik® type Equi-Frequency mountings large series



Features / Applications

- In common with the range of smaller Equi-Frequency mountings, these heavy duty parts have substantially the same stiffness in all directions.
- With two sizes of mounts produced in two rubber compounds it is possible to support static loads from 40 to 215 kN. Parts are available with ferrous and non magnetic metal parts. Rubber sections are protected with an MOD approved protective lacquer to reduce oil and ozone attack
- Equi-Frequency mountings are designed to meet the shock requirements of BR8470 (UK MOD)
- This range of mountings was designed to support and isolate Marine propulsion engines, Generator sets, Gas Turbine engines, Reactors and Machinery Rafts



All dimensions in mm

Product No.	A	B	C	Mass Weight kg	Rubber Hardness	Load, Fz kN	Static Stiffness kN/mm	Dynamic Stiffness kN/mm
17-1472	346	305	152	31	45	40	2.45	2.82
					60	74	4.6	6.0
17-1544	570	500	283	192	45	115	8.0	9.3
					60	215	14.2	18.5