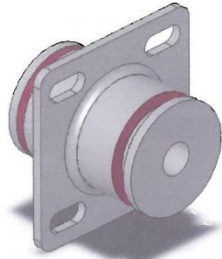




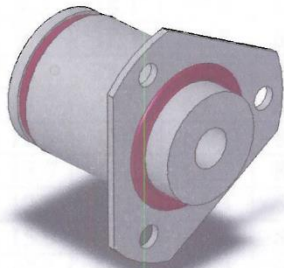
OTTERSTRØM

I SVING SIDEN 1946

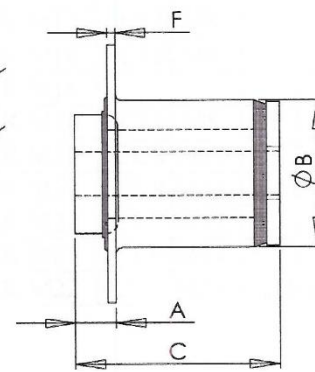
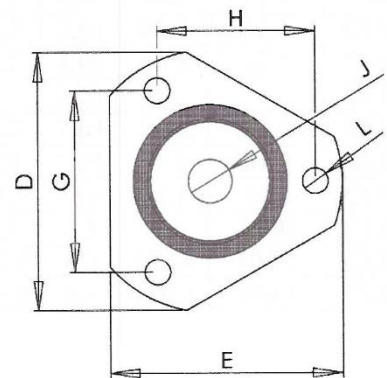
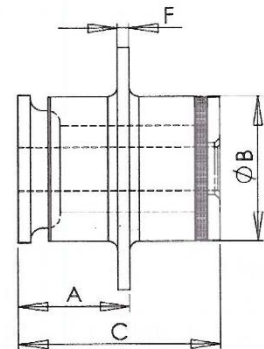
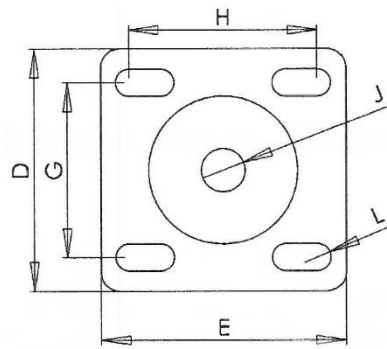
Type GG – Semi Bonded Flange Mount



Type 1



Type 2



Specifications

Natural Rubber to BS5179:1975

Highest tensile specification achieved for each hardness band. Each band is tighter than allowed by specification.

Tube to: BS6323: Part 4
DIN2393 / DIN1629

Bar to: BS970: Part 1:1983

Plate to: BS1449: Part 1:1983:CR4

Standard finish – Phosphate Finish.

Alternative fixings / spacers can be designed to suit requirements

Various stiffnesses available

Tolerances and load-deflection data available on request.

All dimensions quoted in millimetres

Description

The GG type flange mountings consist of rubber bonded to a cylindrical outer with an assembled inner. The outer is welded to a flange for fixturing.

Designed principally accommodate axial loads and accommodate small torsional, conical and radial movements.

Applications

- Wind turbine generator and Nacelle mounts
- Standby generator mounts
- Pleasure craft and canal boat engine mounts



OTTERSTRØM

I SVING SIDEN 1946

Type GG – Semi Bonded Flange Mount

Product Data

Part No.	A	B	C	D	E	F	G	H	J	L	Type
GG0381	9.5	38.1	50.8	47.5		2.03			CLR M12		3
GG0382	9.5	38.1	50.8	68.0	60.3	2.03	48.1	41.7	CLR M12	CLR M6	2
GG0383	9.5	38.1	50.8	68.0	60.3	2.03	48.1	41.7	CLR M12	CLR M6	2
GG0471	12.7	47.6	64.3	86.1	76.2	2.64	60.5	52.4	CLR M12	CLR M8	2
GG0472	12.7	47.6	64.3	86.1	76.2	2.64	60.5	52.4	CLR M12	CLR M8	2
GG0473	12.7	47.6	64.3	86.1	76.2	4.06	60.5	52.4	CLR M16	CLR M8	2
GG0474	12.7	47.6	64.3	57.2		3.25			CLR M16		3
GG0475	15.9	47.6	67.4	86.1	76.2	2.64	60.5	52.4	CLR M16	CLR M8	1
GG0551	17.4	55.5	76.2	99.6	88.9	3.25	71.5	61.9	CLR M20	CLR M10	2
GG0752	20.6	74.6	103.2	131.2	117.5	4.06	92.1	79.8	CLR M22	CLR M12	2
GG0755	56.7	74.6	103.2	125.0	125	6.3	90	70-90	CLR M22	CLR M12	1
GG1011	30	101.6	130	175.1	156.8	6.3	120.4	104.3	CLR M22	CLR M14	1
GG1014	30	101.6	130	175.1	156.8	6.3	120.4	104.3	CLR M22	CLR M14	2ODD