



**Features**

Type EH is designed primarily for mobile applications where high dynamic and shock forces are encountered.

Dynamic vertical movements in both the directions are restricted and excellent horizontal stability is provided.

Stress on brackets are optimized while at the same time obtaining vibration isolation and shock absorption.

The function of EH includes features as:

- ▼ Fail-safe installation
- ▼ Simple design – easy to install
- ▼ Wide load range, 80 to 450 kg
- ▼ Dynamic efficiency in all directions
- ▼ Attenuation of structure-borne noise
- ▼ Accommodation of misalignment and distortion

**Novibra® type EH™**

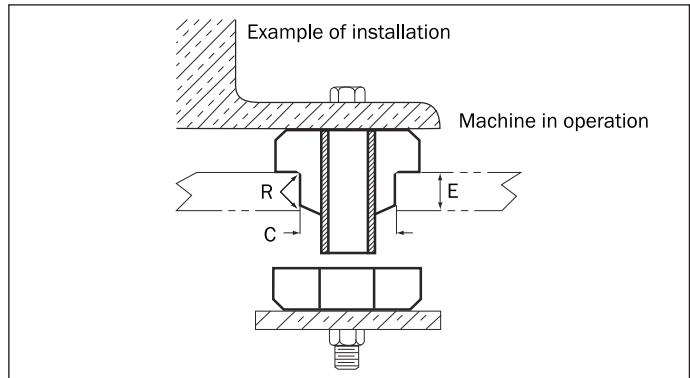
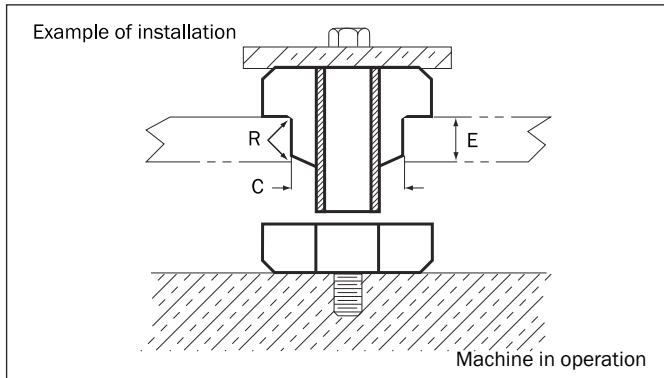
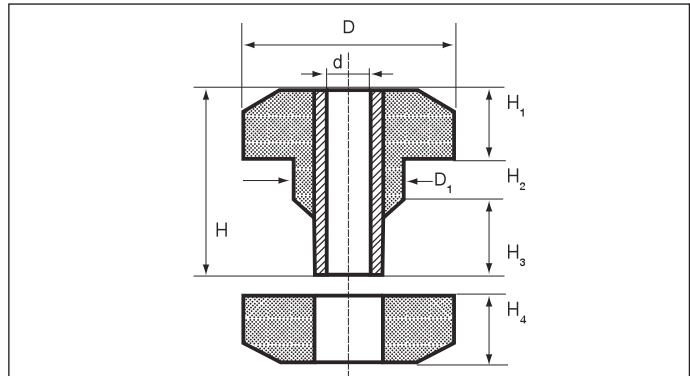
Type EH mountings are designed to achieve effective vibration isolation on engines, operator cabins and other ancillary units.

Typical applications can be found in the following areas:

- ▼ Military vehicles
- ▼ Agricultural vehicles
- ▼ Off-road equipment
- ▼ Construction equipment
- ▼ Transport machinery
- ▼ Industrial mobile machinery

Max tightening torque:

- ▼ EH 4850: 40 Nm
- ▼ EH 6463: 80 Nm
- ▼ EH 9075: 200 Nm



Type	Drawing no.	Dimensions in mm										Top & Bottom Washer		
		C	E	R										
EH4850	19-0213-1	31,0	15,0	1,5									20-00416	
EH6463	19-0214-1	39,0	22,0	2,3									20-00532	
EH9075	19-0727-1	56,5	28,0	3,0									20-00533	
Drawing no.		Part no.		Dimensions in mm								Max load (Kg)		
		40°IRH	60°IRH	d	D	D1	H	H1	H2	H3	H4	40°IRH	60°IRH	
EH4850	19-0213-1	20-00621	20-00620	13,0	50	32	50	20	10	20	20	80	130	
EH6463	19-0214-1	20-00619	20-00618	17,0	64	40	62	23	14	25	23	120	260	
EH9075	19-0727-1	–	20-00616	23,0	89	58	73	25	19	29	25	260	450	

Note: The natural frequencies and degrees of isolation are based on dynamic characteristics of the mountings.

Load  
per mounting (kg)

