

Vee Mountings™



Features

Vee mountings have ideal stiffness characteristics for rail vehicle engine suspensions.

The vertical stiffness rate ensures that when the mounting is properly loaded, the vertical natural frequency doesn't coincide with the body bending frequency. The high longitudinal stiffness controls shunting shock motion.

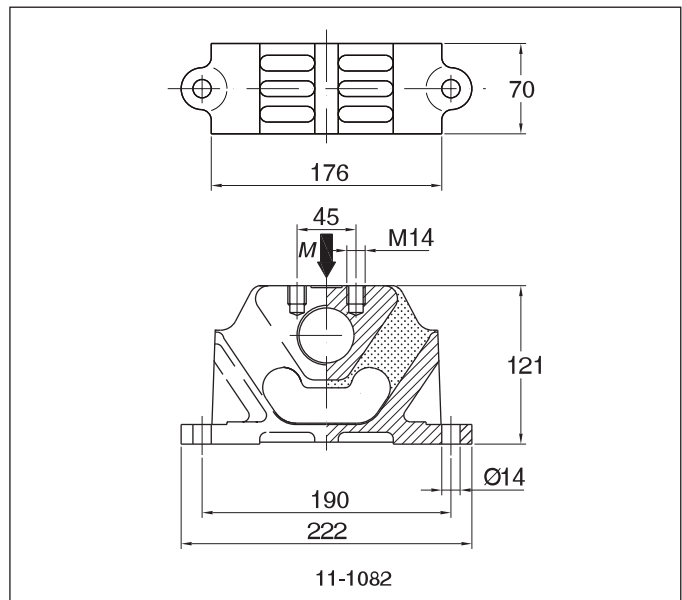
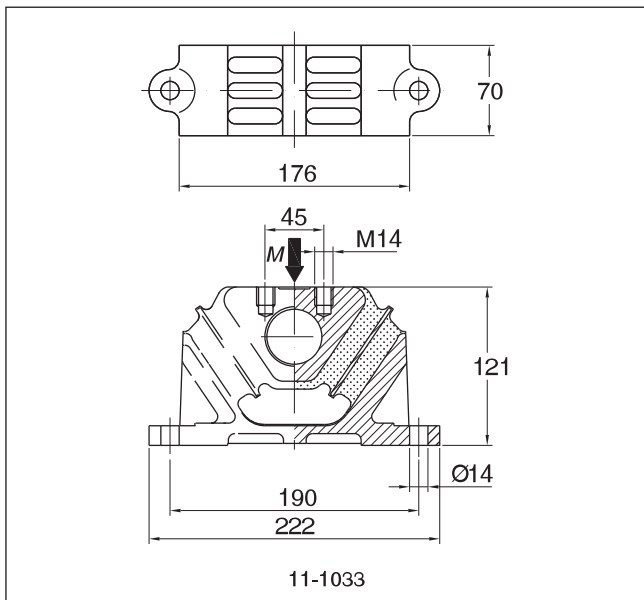
The mounting is usually connected to the sole bars via the base casting, and a buffer is attached to the Vee section casting to limit tensile loads.

The Vee mounting has the following features:

- ▼ Three dissimilar translational stiffnesses for the best vibration isolation and motion control.
- ▼ Strong castings for safety and reliability.

Metalastik® type Vee Mountings™

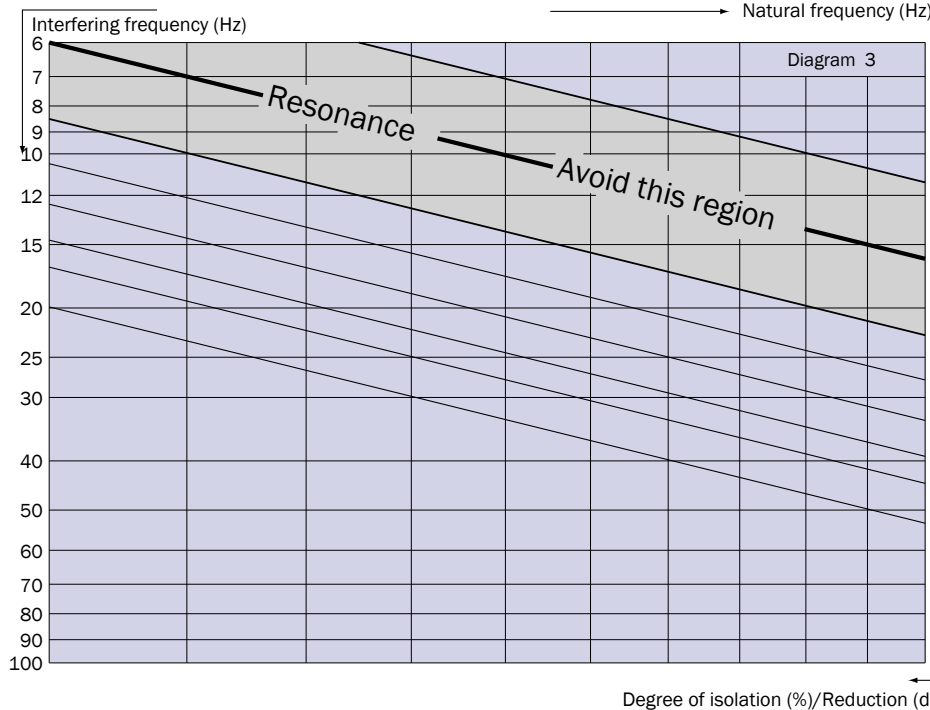
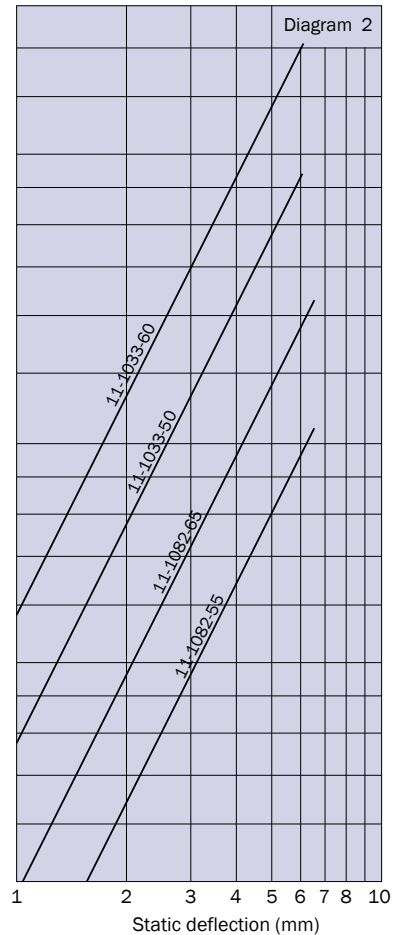
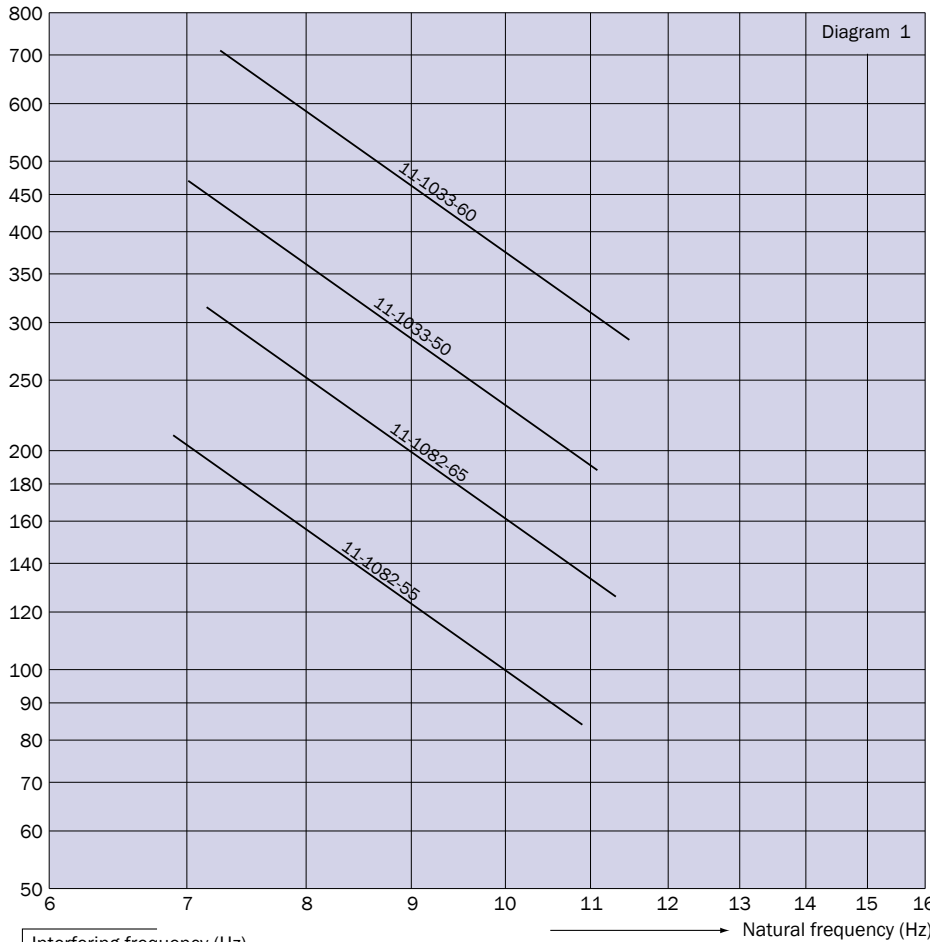
A high load capacity mounting with relatively large rubber volume providing a high degree of vibration and noise isolation and makes it ideally suited for suspending engines installed in public service and goods vehicles.



Drawing no.	Part no.	M-Max (Kg)	Weight (Kg)
11-1082	10-00205	210	4,2
11-1082	10-00206	315	4,2
11-1033	10-00196	470	4,5
10-1033	10-00197	710	4,5

Note: The natural frequencies and degrees of isolation are based on dynamic characteristics of the mountings.

Load per mounting (kg)



To select correct mounting, following data are needed:
 1) Load per mounting (kg)
 2) Interfering frequency (Hz) (Hz = rpm / 60)
 Select correct load line in diagram 1 and correct interference line in diagram 3. The load line intersects with required type of mounting.
 Connect this intersection point vertically down to the interference line in diagram 3. Here, on the sloping curve, the isolation degree is indicated.
 For static deflection, see diagram 2.

